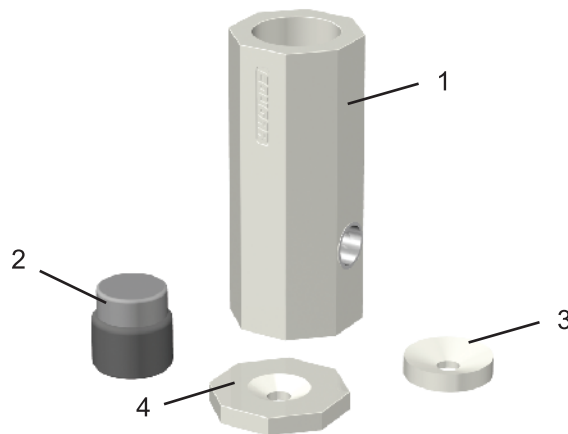


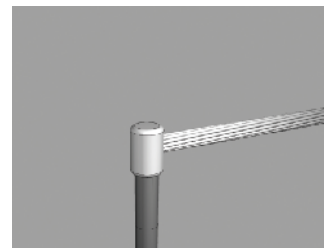
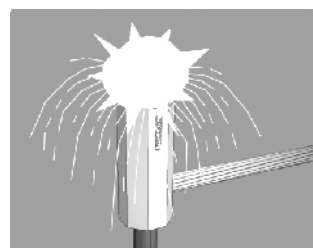
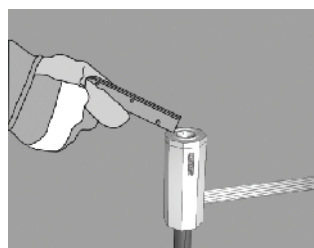
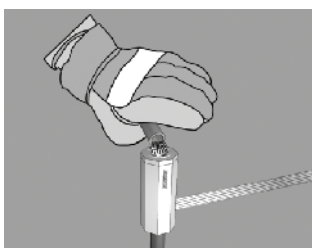
# One-Joint



如果连接数量很少，采用COUWELD库革热焊的One Joint连接方式是您降低成本的解决方案，与石墨模具不同One-Joint模具是由陶瓷制成的一次性模具。

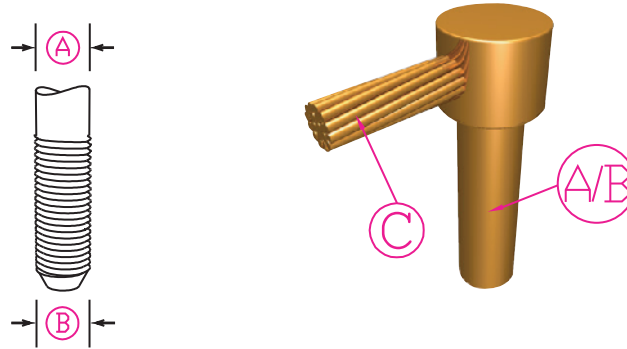


- 1) One-Joint陶瓷模具
- 2) One-Joint焊粉
- 3) One-Joint隔离垫
- 4) One-Joint隔离盖



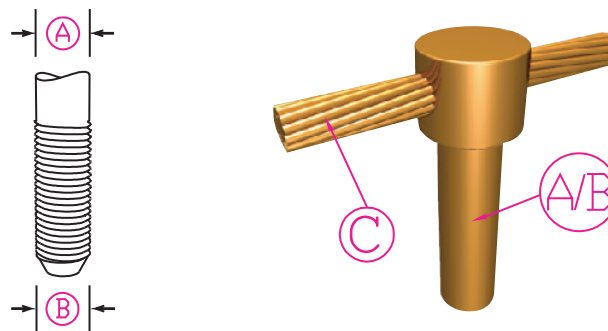
**One-Joint**

**OJ1**



(A) mm x mm	(B) mm x mm	(C) mm x mm		
14.2	5/8"	16	4	OJ1-14216
14.2	5/8"	25	4	OJ1-14225
14.2	5/8"	35	4	OJ1-14235
14.2	5/8"	50	4	OJ1-14250
14.2	5/8"	70	4	OJ1-14270
14.2	5/8"	95	4	OJ1-14295
17.2	3/4"	16	4	OJ1-17216
17.2	3/4"	25	4	OJ1-17225
17.2	3/4"	35	4	OJ1-17235
17.2	3/4"	50	4	OJ1-17250
17.2	3/4"	70	4	OJ1-17270
17.2	3/4"	95	4	OJ1-17295

**OJ2**



(A) mm x mm	(B) mm x mm	(C) mm x mm		
14.2	5/8"	16	4	OJ2-14216
14.2	5/8"	25	4	OJ2-14225
14.2	5/8"	35	4	OJ2-14235
14.2	5/8"	50	4	OJ2-14250
14.2	5/8"	70	4	OJ2-14270
14.2	5/8"	95	4	OJ2-14295
17.2	3/4"	16	4	OJ2-17216
17.2	3/4"	25	4	OJ2-17225
17.2	3/4"	35	4	OJ2-17235
17.2	3/4"	50	4	OJ2-17250
17.2	3/4"	70	4	OJ2-17270
17.2	3/4"	95	4	OJ2-17295